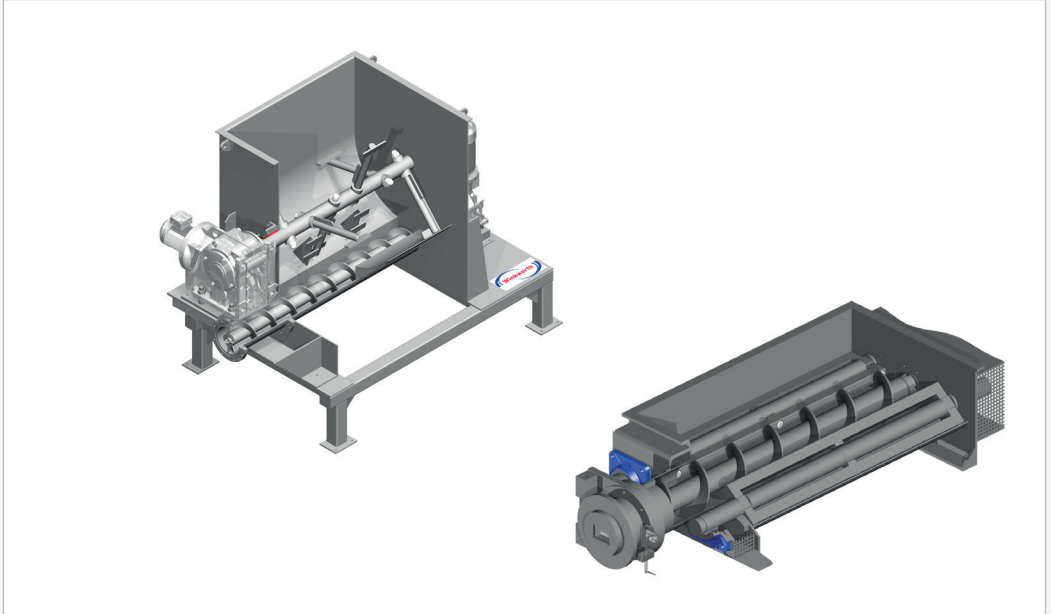


- w** Ideal for converting a batch mixing process into a continuous process.
- w** Converts a large mass of paste into manageable form to simplify further operations.



**Winkworth** have been excellent to work with and they always go the extra mile to meet our mixing needs by incorporating tailor-made features to the machines. Over the years we've purchased 13 brand new machines from **Winkworth** which have enabled us to streamline production, increase throughput, reduce labour costs and increase the quality and accuracy of the final product.

**Winkworth** Paste Feeders process doughs and pastes including:

Confectionery pastes  
Food doughs  
Marzipan

Sugar pastes  
Biscuit doughs  
Pigment pastes

Adhesives  
Grouts  
Gasket sealing mixes

Fibreglass doughs  
Putties  
Mashed potato

Winkworth Machinery Ltd  
Mixer House  
Stroudley Road, Basingstoke  
Hampshire RG24 8FW



**Mixing all ways**

- w Available as the **Winkworth** Paddle Paste Feeder and the **Winkworth** Twin Roller Paste Feeder.
- w Prevents production line bottleneck by processing batch pastes into a manageable format for continuous output.

Features	Std	Option
Fabricated in stainless steel or mild steel	✓	
Constant pitch discharge nozzle	✓	
Range of screw sizes	✓	
Paddle type (soft pastes)	✓	
Roller type (heavy pastes)	✓	
All stainless steel		●
Choice of discharge nozzles		●
Heating / Cooling jacket		●
Choice of hopper size		●
Heavy duty models for stiffer pastes		●
Mobile unit		●
Features for easier cleaning		●
Control systems with variable speeds		●
Knife cutter - blade		●
Ultrasonic knife cutter system		●

At **Winkworth** we design each machine to suit your specific needs. The abbreviated option chart (above) is a guide to assist with developing the specification of your machine. To get your project started please call our sales team who will be delighted to help you.



**Winkworth** are application specialists in the complex and challenging world of mixing. Since 1924, years of experience, knowledge and client feedback have enabled **Winkworth** to design and manufacture bespoke mixing machinery for almost every mixing need.

**Winkworth's** current range includes the expertise and products originating from BPT Skerman and Premier Colloid Mills. For high shear in-line mixing we offer Ystral products and for low shear we have the Lindor "gentle touch" rotary drum blenders.

This complements the extensive range of proprietary mixer designs which are extensively used across all industries for mixing stiff gums, pastes, powders, liquids, etc, most of which are available at our Mixing Test Centre at our Basingstoke HQ.